



## *Product Specifications*

<b>Revision</b>	<b>Date</b>	<b>Modified by</b>	<b>Description</b>
<b>1.0</b>	<b>2012-11-15</b>	<b>JHSPL</b>	<b>First release</b>

## Introduction

E-Touch Pen uses Ultrasound and Infrared technologies, consists of ultrasonic digital stylus and a small receiving unit. This device is designed for Windows 8, enables all non-touch Laptop screen with touch features.

## System Requirements

- Microsoft ® Windows 8
- 1 USB Port

## Features & Benefits:

- E-Touch Pen operates as Touch[ and Multi Touch screen digitizer]. With this device the user can make his Laptop screen act as touch screen with the abilities of touch functions.

## Components

- Cordless electronic pen, including special refill and batteries
- Detachable base unit,
- USB cable connection to PC

## Specifications

- Technology: Ultrasonic and Infrared
- Coverage area: up to17" (MAX)
- Resolution: 100 DPI
- Accuracy:0.2mm
- Communication: USB 2.0 Full Speed
- USB Cable
- Power Source:
  - Pen: 2 x SR41 batteries
  - Pen Battery Life Time:500 hours of continues writing/hovering. (The ratio of the pen's working and standby time is 1:9 )  
Note: Lifetime of the batteries may vary and cannot be guaranteed
- Standards: FCC/CE
- Platform support:
  - Windows® 8
- Sampling rate:58 samples/second

- Power consumption:

Pen:

- Pen Down / Hovering – 440uA for full battery, 480uA for low battery (< 3.0v)
- Pen Up: 12μA

Base unit:

- Connected : 20mA
- Operating Temperature: +10°C to +35°C.
- Storage Temperature: -10°C to + 50°C.
- Operation Relative Humidity Range: 20% – 80 % (40°C).
- Storage Relative Humidity Range: 20% – 80 % (40°C).
- Size: L \* W \* H: 68.01\*26.32\*7.70 (mm)
- Weight: about 9gr.
- Color: Black.

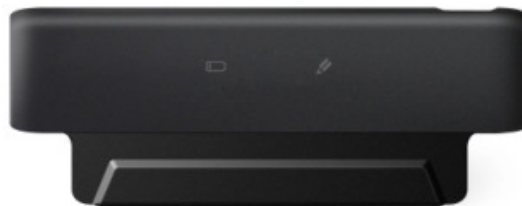
## USB Connector

- USB Series "A" (Laptop Side)



## Base Unit Dimensions

- Weight: 9.10g.



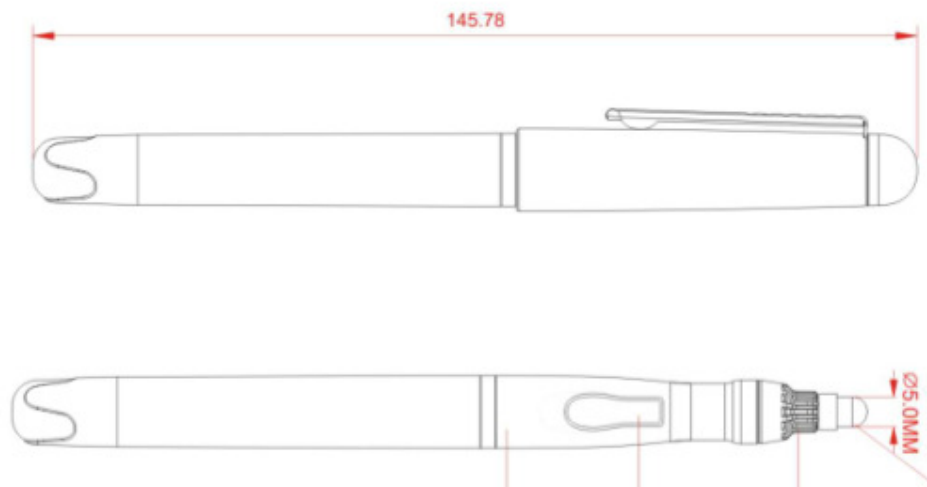
## Base Unit Position

- Base unit minimum distance from active screen area is 15mm.



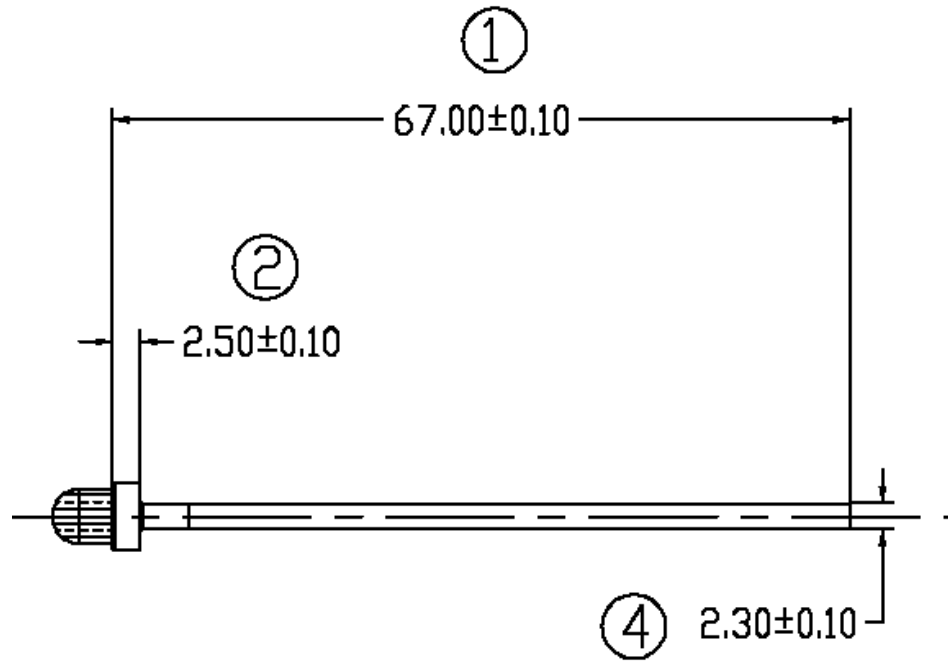
## Pen Dimensions

- Weight: 17.4g. (include Refill and Batteries)



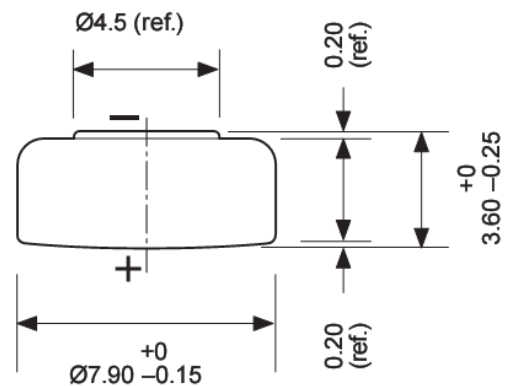
## Pen Refill Dimensions

- 67.00mm long X  $\Phi$ 2.30mm diameter
- 



## Pen Batteries

- Type: SR41/LR41
- Voltage: 1.55V
- Electrochemical system:  
Silver Oxide high drain button cell
- Typical capacity (mAh): 38
- Diameter (mm): 7.9
- Height (mm): 3.6
- Weight (g): 0.7



Unit : mm